



**LUXURY SPA™ SHOWERHEAD**

Niagara Conservation's Luxury Spa™ Showerhead has the look of luxury with the benefits of saving. The patented pressure compensating technology guarantees a feeling of great force while using less water. The durable all-metal body and chrome ball joint makes this showerhead perfect for commercial applications.

**THE FEATURES**

- Provides more water at low pressure
- 1.5 GPM flow rate saves 40% more than standard showerheads
- Single spray function provides full body coverage
- All-metal body with chrome brass ball joint
- Pressure compensating technology guarantees a consistent flow rate across wide range of pressure
- 10 year warranty\*\*\*

**CERTIFICATION & PERFORMANCE REQUIREMENTS**

- ASME A112.18.1 / CSA B125.1; ANSI/NSF 61



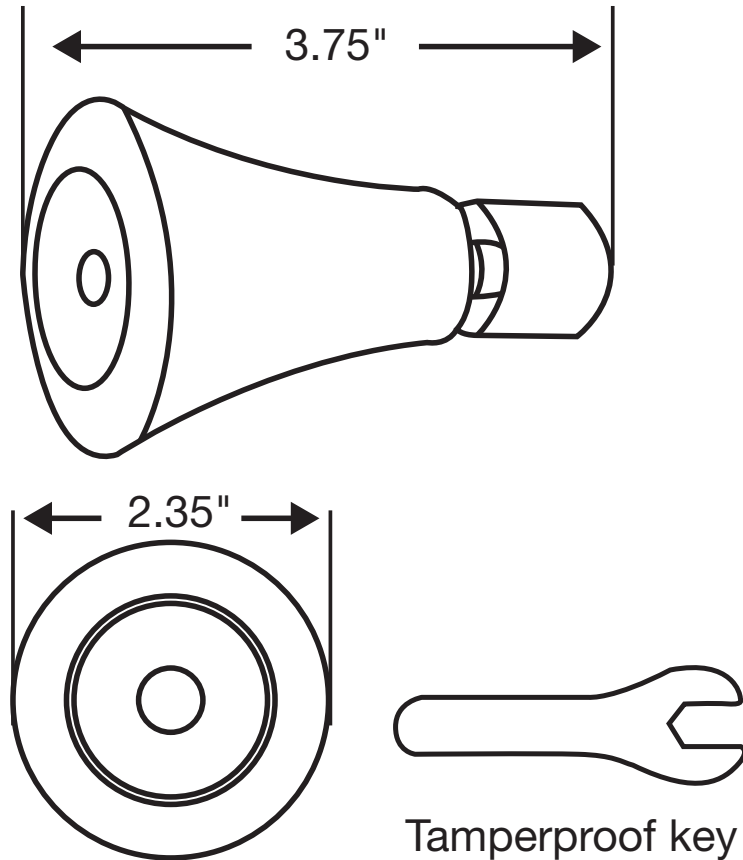
**N2150 KEY**

MODEL #	FINISH	FLOW RATE	WATERSENSE	CASE QTY.
N2150CH	Chrome	1.5 GPM	Yes	50
N2150-TP (Tamper Proof)	Chrome	1.5 GPM	Yes	50
N2150 KEY		Tamperproof Key		50

**THE POTENTIAL ANNUAL SAVINGS\***

	FLOW RATE	WATER	ELECTRIC HEATING	GAS HEATING
DOLLAR SAVINGS	1.5 GPM	\$73	\$129	\$72
UTILITY SAVINGS	1.5 GPM	8,760 gallons	1,138 kWh	63 therms

## THE DIMENSIONS\*\*



\*Factors in calculating savings potential:

- 3-person households each using a shower 9 minutes per day, 365 days per year (AWWARF Residential Study)
- Comparing water use with these showerheads vs. a standard 2.5 GPM unit
- US city average water and sewer cost of \$8.3 per 1,000 gallons (study done by NUS

\*\*Dimensions are subject to change

\*\*\*WARRANTY DETAILS

AM Conservation Group, Inc. guarantees to the original purchaser or recipient of a showerhead that it is free from defects in material and workmanship for a period of 10 years. AM Conservation Group, Inc. will at our choice replace any part of the showerhead which is in our opinion defective provided that the product has not been abused, misused, altered, or damaged after its purchase. This includes damage due to the use of tools or harsh chemicals. In the event a product has been discontinued, AM Conservation Group, Inc. will replace it with what we determine to be the closest product. AM Conservation Group, Inc. is not responsible for labor charges, installation, or other consequential cost. AM Conservation Group, Inc.'s responsibility shall not exceed the original cost of the product.

Consulting Group 2011)

- Average cost of electricity 0.113¢ per kWh (Energy Star Nov. 2013 Lightbulb Calculator — [http://www.energystar.gov/?c=cfls.pr\\_cfls\\_savings](http://www.energystar.gov/?c=cfls.pr_cfls_savings))
- Average cost of gas \$1.137 per therm (Bureau of Labor Statistics April 2014)
- Calculations done by <http://www.fishnick.com/savewater/tools/watercalculator>